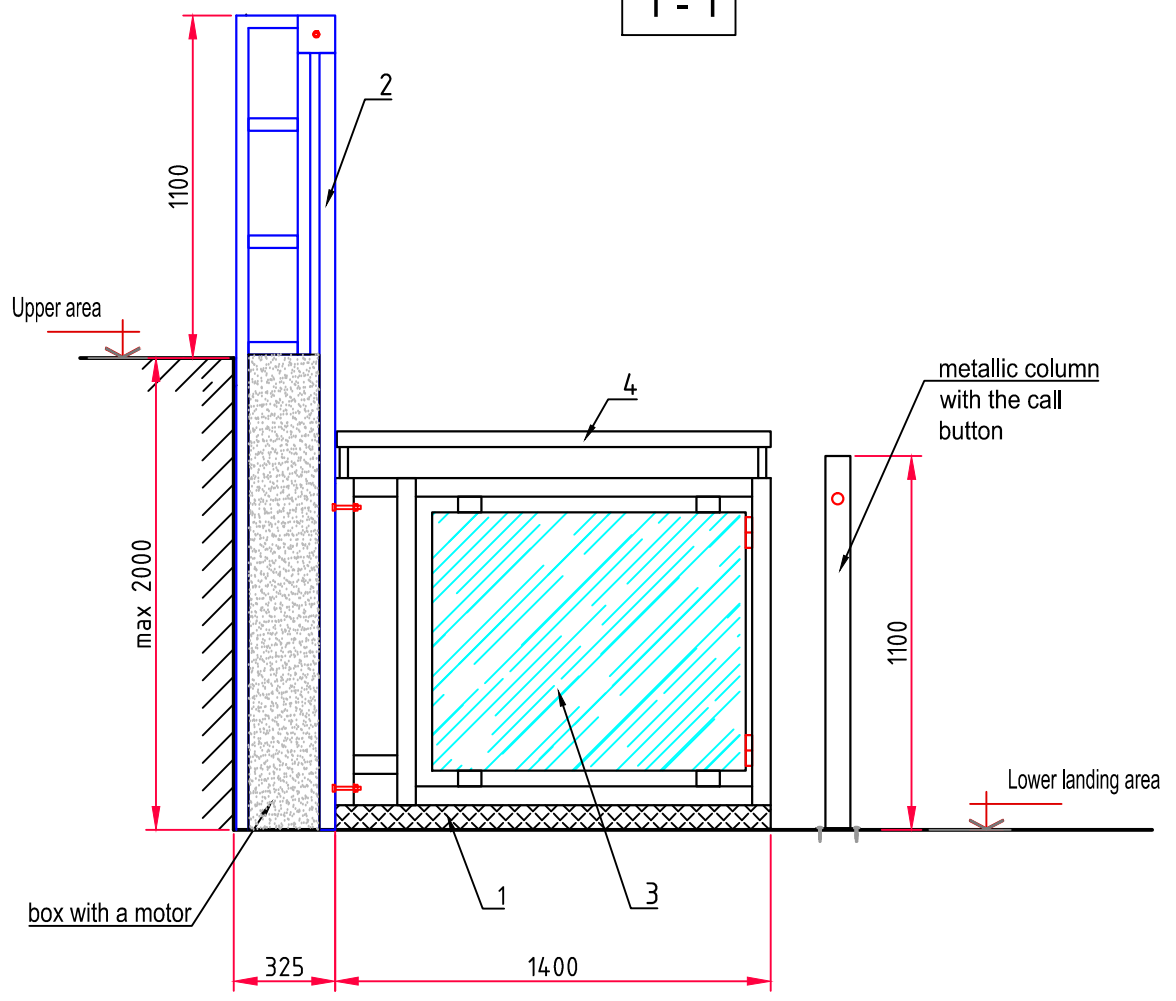
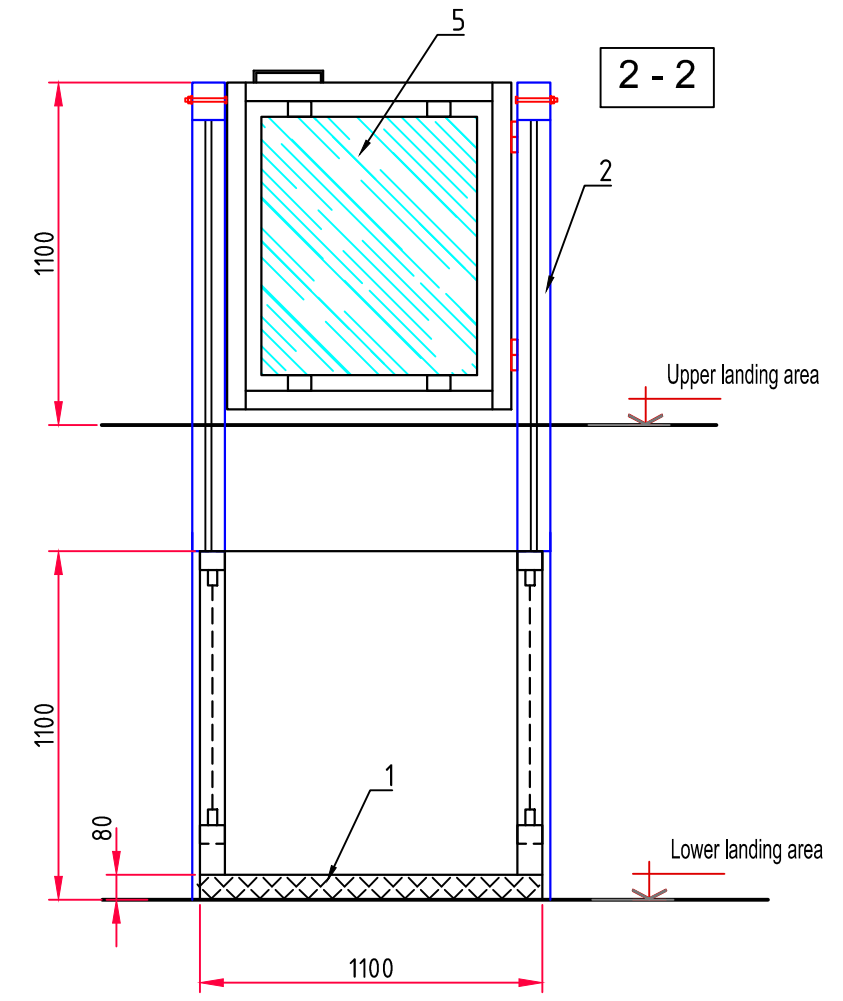


1 - 1



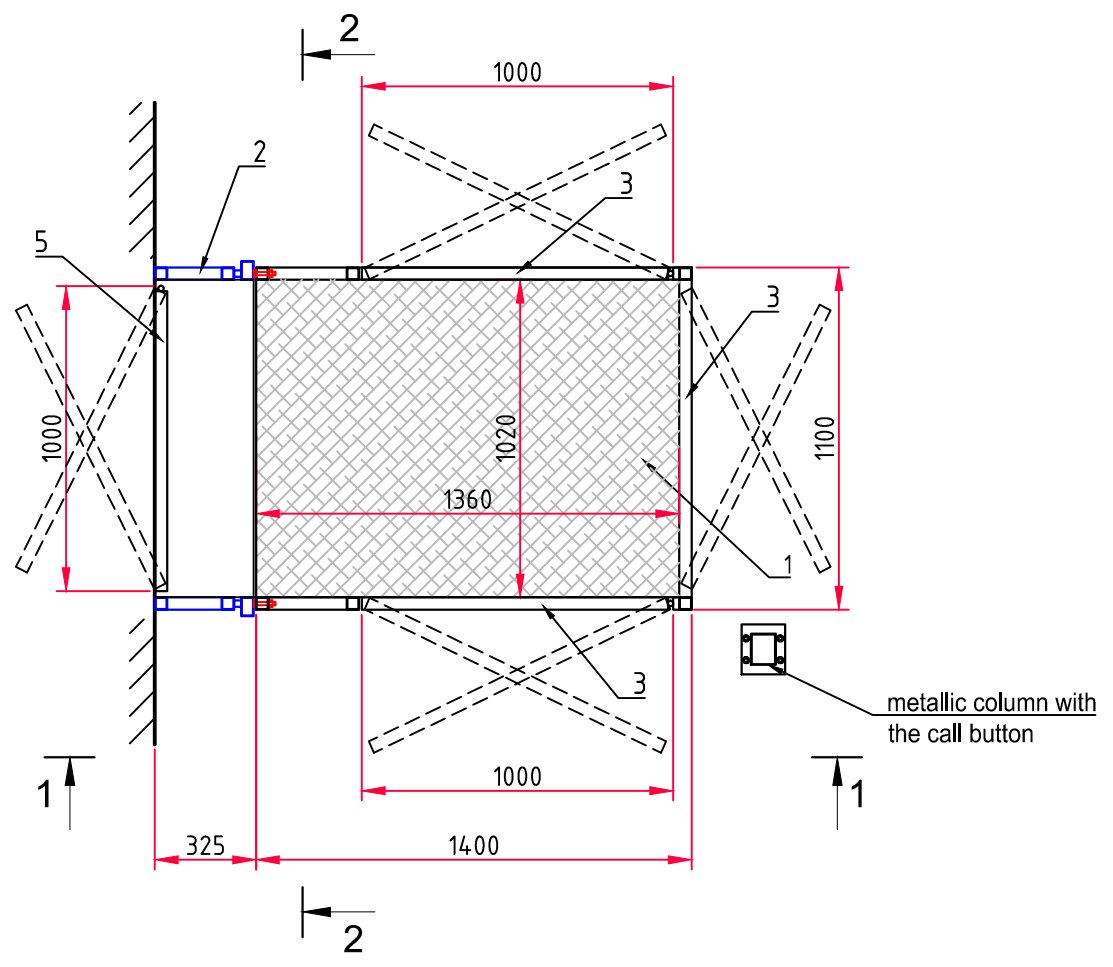
2 - 2



Technical characteristics

Production serial number	
Model	VTPM-2000E
Stops	2
Lifting height, mm	2000
Speed m/sec.	0,10
Capacity, kg	250
Doors (type)	swing-glazed
Control system	button of permanent pressure
Maximum consumed power, kW	1,4
Number of users transported at one time (in a wheelchair)	1

VTPM-2000E



Material specification

Mark, position	Denomination	Amount	Remark
1	Platform	1	
2	Metallic pillar	2	
3	Gate built into the cabin, one of three sides, left or right	1	
4	Handrail	2	
5	Outer gate, left or right	1	

CUSTOMER:		№ cust:
OBJECT: Lifting platform VTPM 2000E		Date:
NAME OF DRAFT: Plan. Sections.		Scale: 1:25
Developed	D.Smit	Stage: TP
Checked	V.Poida	Page: BK-1