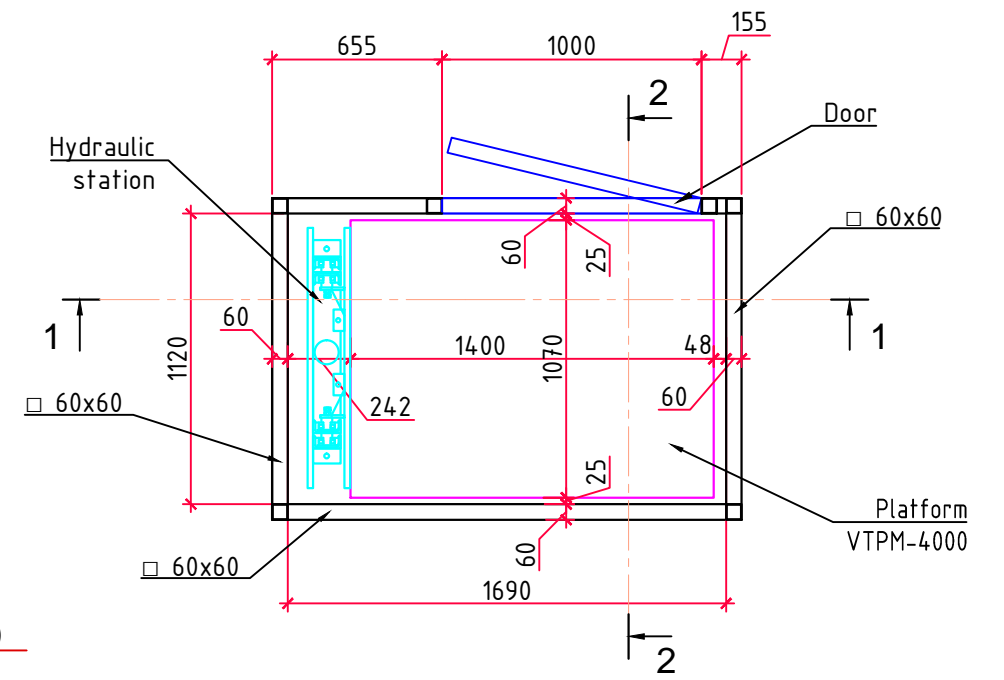
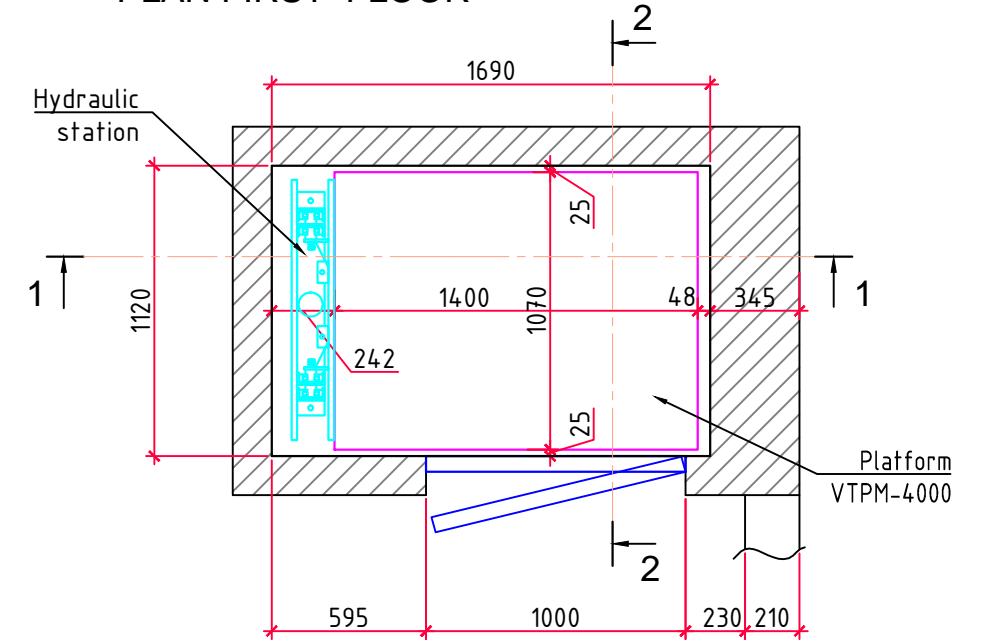


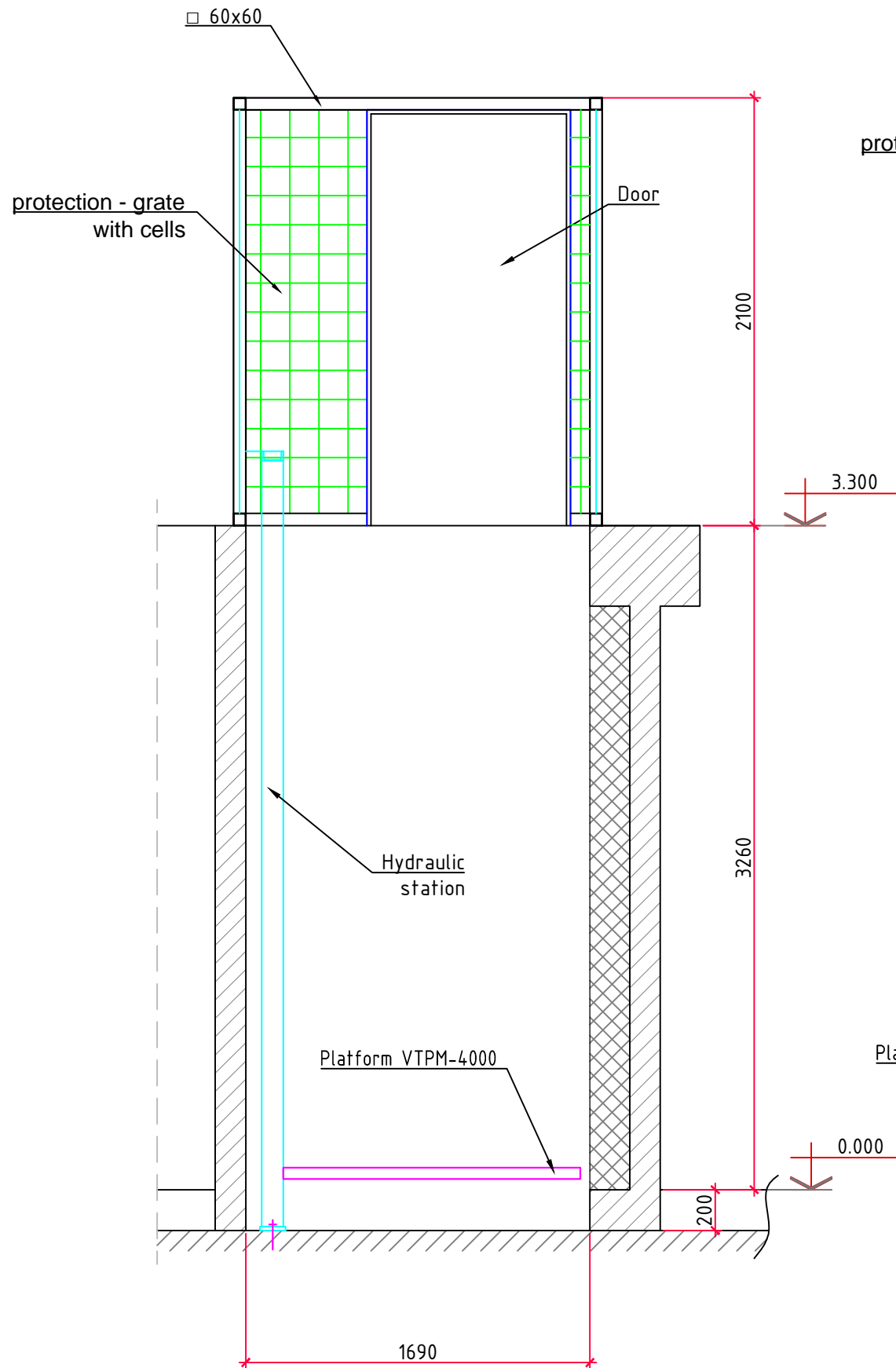
PLAN SECOND FLOOR



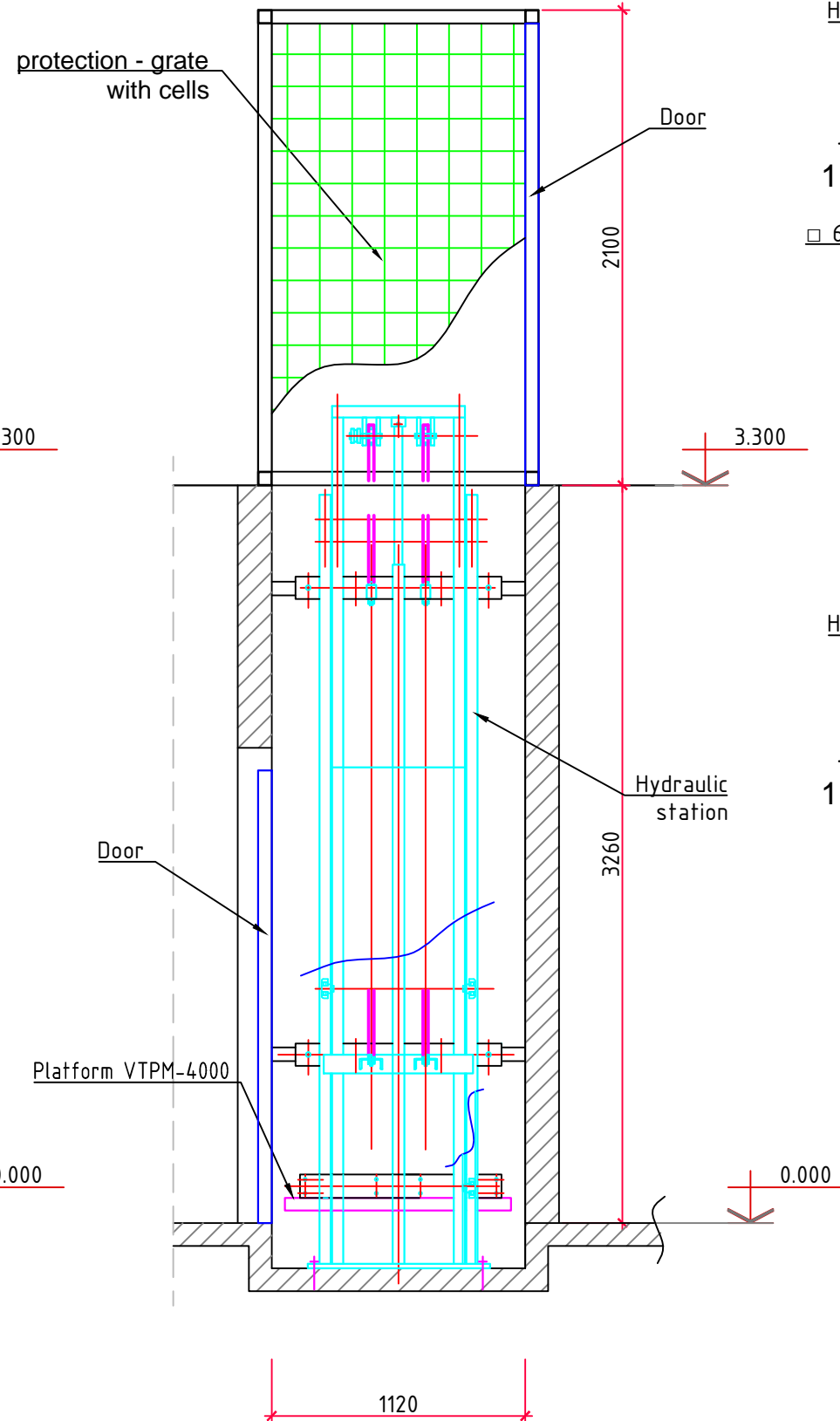
PLAN FIRST FLOOR



1 - 1



2 - 2



CUSTOMER:		Ne cust:	
OBJECT:		Date:	
Lifting platform			
NAME OF DRAFT:		Scale:	
Plan. Sections.		<b>1:30</b>	
Developed	D.Smit	Stage:	
Checked	V.Poida	<b>TP</b>	
		Page:	
		<b>BK-1</b>	